

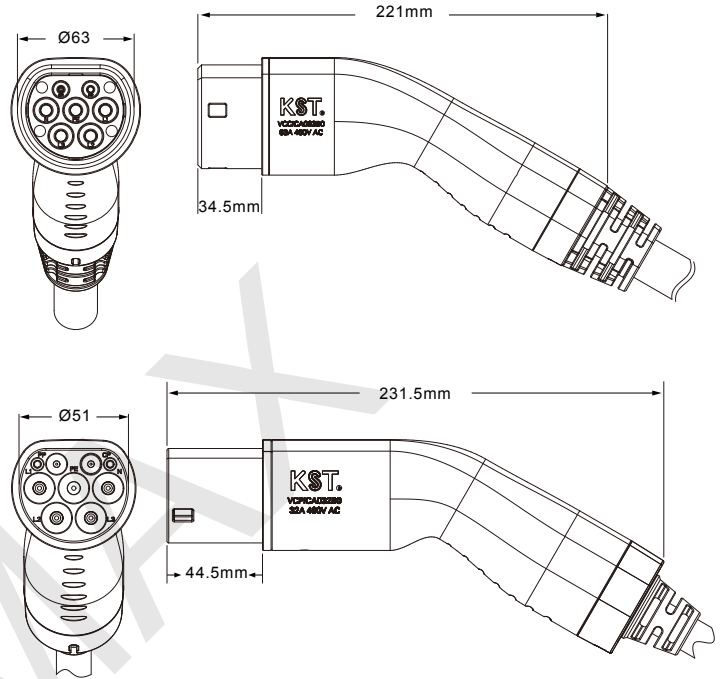


IEC 62196



AC Charging Connector for Electric Vehicle : IEC 62196 TYPE2 TO TYPE2
EV Plug-to-Plug Charging Cable Set

PTCICA032B0-I0



Features

- Conformity in surface design with GB / T 20234-2015.
- Ergonomic and streamlined designs allow for user-friendly interaction.
- High protection level to resist severe environment.
- Products passed 5000N driveover test.
- Applicable to Connection B of IEC 61851.

Application

For connecting BEV, PHEV and charging pile.
Types of connection : Case B



GB 20234



AC mode



Water Proof



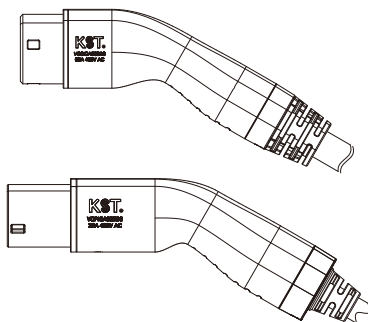
Dust Proof

Wide
Range Temp.

Product Perimeter

Project

Specification



Vehicle Connector + Plug Color
Rated Current
Rated Voltage
Force
Lifespan
Flammability Rating
Protection Level
Operating temperature
Main Material

White
32A(Single Phase & three Phase)
480V AC
 $\leq 100N$
 ≥ 10000 times
UL 94V-0
IP54
 $-30^{\circ}C \sim +50^{\circ}C$
PBT / PC / PA66 / Brass

AC Charging Cable Spec.

Specification

Color

Standard

32A Cable

 $5 \times 6.0mm^2 + 1 \times 0.75mm^2$

Black

EN50620