



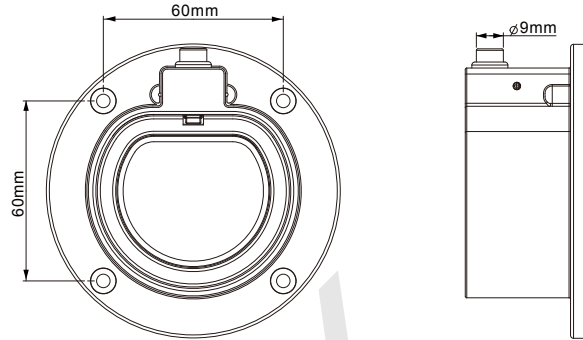
## IEC 62196 -2

Electronic Locking Solenoid For Socket

### PTSIHA1 / PTSIHA0



Application



Project	Specification
Housing color	Black
Standards/regulations	IEC 62196-2
Charging standard	Type 2
Possible mounting positions	Front mounting
Mounting hole diameter	4.5 mm (ø)
Application	for vehicle charging connectors on charging stations (EVSE)

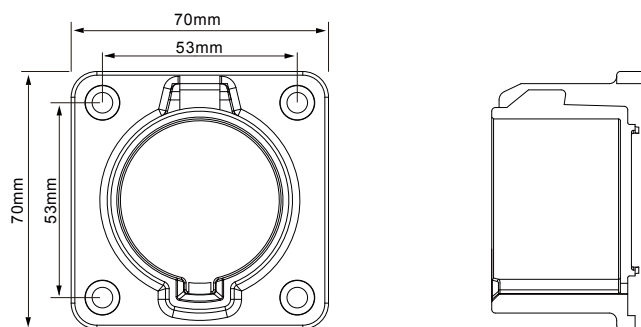
## SAE J1772

Electronic Locking Solenoid For Socket

### PTSSHA1



Application



Project	Specification
Housing color	Black
Standards/regulations	SAE J1772
Charging standard	Type 1
Possible mounting positions	Front mounting
Mounting hole diameter	5.6 mm (ø)
Application	for vehicle charging connectors on charging stations (EVSE)