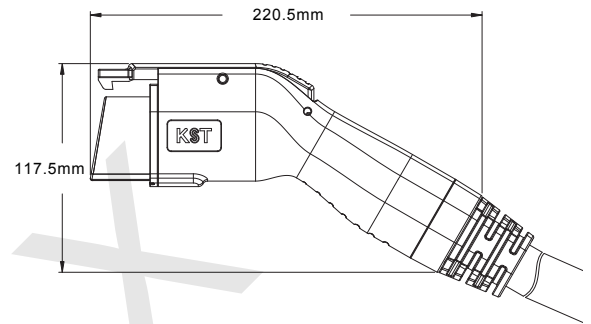




UL 2251

AC Charging Connector for Electric Vehicle : SAE J1772 Standard

PTPU2A080D0 / PTPU2A040D0 / PTPU2A032D0 PTPU2A016D0 / PTPU1A016D0



SAE J1772



AC mode



Water Proof



Dust Proof



Wide Range Temp.

Features

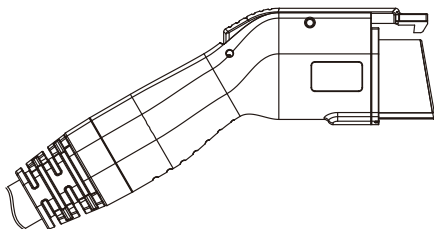
- Conformity in surface design with SAE J1772, as well as product test accordance with UL 2251.
- Ergonomic and streamlined designs allow for user-friendly interaction.
- High level of protection against severe environment.
- Products passed 5000N driveover test.
- Applicable to Connection B and Connection C of IEC 61851.

Application

BEV, PHEV, charging pile, cord set and domestic wall-mounted charger, etc.

Charging mode : mode2 / mode3 ; Type of connection : Case B / Case C.

Product Perimeter



Project

Plug Color
 Rated Current
 Rated Voltage
 Lifespan
 Flammability Rating
 Protection Level
 Operating temperature
 Main Material

Specification

Black
 80A / 40A / 32A / 16A
 240V AC
 ≥ 10000 times
 UL 94V-0
 NEMA 4 (Body IP67)
 -30°C ~ +50°C
 PBT / PC / PA66 / Copper Alloy

AC Charging Cable Spec.

Specification

Color

Standard

80A Cable	2x5AWG+1x6AWG+1x16AWG	Black	UL62 EVE
40A Cable	2x8AWG+1x10AWG+1x18AWG	Black	UL62 EVE
32A Cable	3x10AWG + 1x18AWG	Black	UL62 EVE
16A Cable	3x14AWG + 1x18AWG	Black	UL62 EVE
16A Cable	3x14AWG + 1x18AWG	Black	UL62 EVJE