



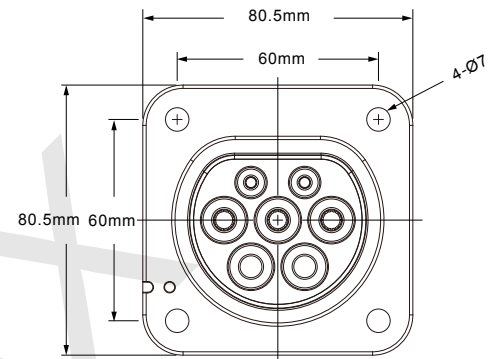
GB / T 20234



No.: CQC16029148023

AC Charging Connector for Electric Vehicle : GB / T 20234 Standard

PTSG2A032B0 PTSG2A016B0



Socket



GB 20234



AC mode



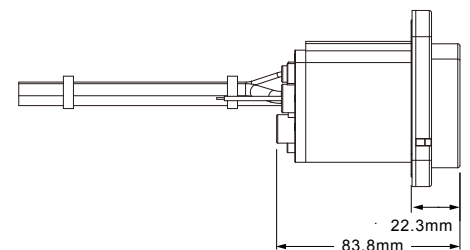
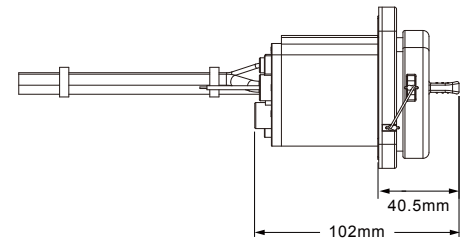
Water Proof



Dust Proof



Wide Range Temp.



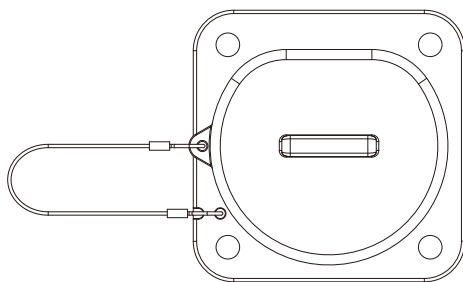
Features

- Conformity in surface design with GB / T 20234-2015.
- Temperature detecting function.
- High protection level to resist severe environment.
- Applicable to Connection A and Connection B of IEC 61851.

Application

EVSE, charging pile and domestic wall-mounted charger, etc.
Charging mode : mode3 ; Types of connection : Case A / Case B

Product Perimeter



Project

Socket Color
Rated Current
Rated Voltage
Lifespan
Flammability Rating
Protection Level
Operating temperature
Main Material
Temperature detecting range
TATC Application No.

Specification

Black
16A / 32A
250V AC
≥ 10000 times
UL 94V-0
IP54
-30°C ~ +50°C
PBT / PC / Brass
-30°C ~ +150°C
16A: QA16EE1EB0812 / QA16EF1EB0812
32A: QA16EE1EB0822 / QA16EF1EB0822

AC Charging Wire Spec.

Specification

Equal Standard

16A Wire
32A Wire

2×2.5mm²+1×4.0mm²+2×0.75mm²
2×6.0mm²+1×10mm²+2×0.75mm²

CQC 1104 &
KEMA-KEUR DEKRA K175-2