



GB / T 20234



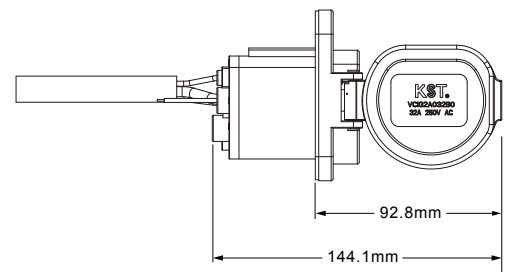
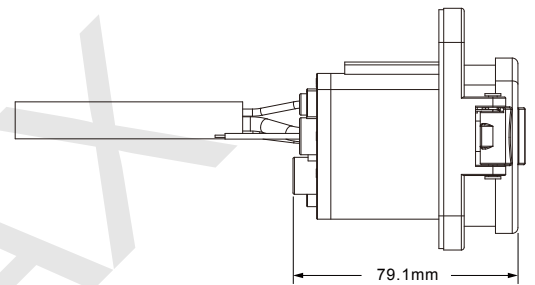
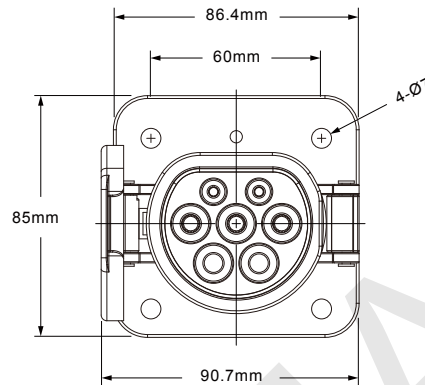
No.: CQC15029130897

AC Charging Connector for Electric Vehicle : GB / T 20234 Standard

PTIG2A032B0 PTIG2A016B0



Vehicle inlet



GB 20234



AC mode



Water Proof



Dust Proof



Wide Range Temp.



Features

- Conformity in surface design with GB / T 20234-2015.
- Temperature detecting function.
- High protection level to resist severe environment.
- Applicable to Connection B and Connection C of IEC 61851.

Application

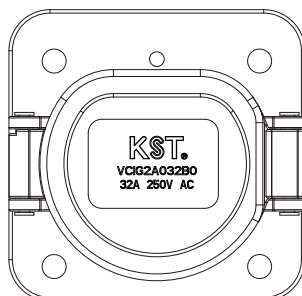
BEV, PHEV, etc.

Types of connection : Case B / Case C

Product Perimeter

Project

Specification



Vehicle inlet Color
Rated Current
Rated Voltage
Lifespan
Flammability Rating
Protection Level
Operating temperature
Main Material
Temperature detecting range
TATC Application No.

Black
16A / 32A
250V AC
≥ 10000 times
UL 94V-0
IP54
-30°C ~ +50°C
PBT / PC / Brass
-30°C ~ +150°C
16A: QA16EE1EB0812 / QA16EF1EB0812
32A: QA16EE1EB0822 / QA16EF1EB0822

AC Charging Cable Spec.

Specification

Color

Standard

16A Cable
32A Cable

3×2.5mm²+2×0.75mm²
3×6.0mm²+2×0.75mm²

Black
Black

CQC 1104 &
KEMA-KEUR DEKRA K175-2