



# GB / T 20234



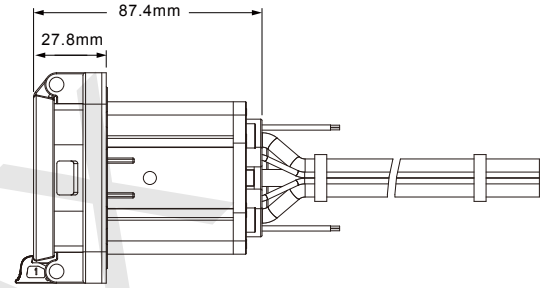
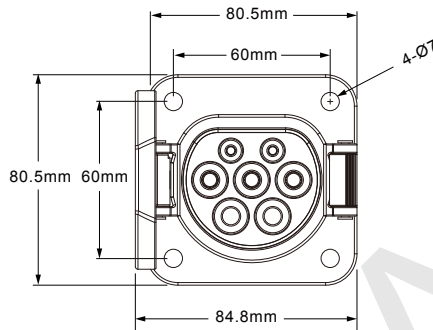
No.: CQC16029148023

AC Charging Connector for Electric Vehicle : GB / T 20234 Standard

## PTSG2A032C0 PTSG2A016C0



Socket



GB 20234



AC mode



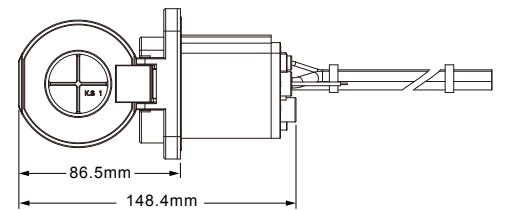
Water Proof



Dust Proof



Wide Range Temp.



### Features

- Conformity in surface design with GB / T 20234-2015.
- Temperature detecting function.
- High protection level to resist severe environment.
- Applicable to Connection A and Connection B of IEC 61851.



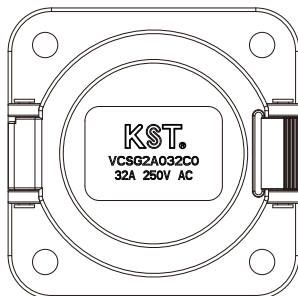
### Application

EVSE, charging pile and domestic wall-mounted charger, etc.  
Charging mode : mode3 ; Types of connection : Case A / Case B

### Product Perimeter

### Project

### Specification



Socket Color  
Rated Current  
Rated Voltage  
Lifespan  
Flammability Rating  
Protection Level  
Operating temperature  
Main Material  
Temperature detecting range  
TATC Application No.

Black  
16A / 32A  
250V AC  
≥ 10000 times  
UL 94V-0  
IP54  
-30°C ~ +50°C  
PBT / PC / Brass  
-30°C ~ +150°C  
16A: QA16EE1EB0812 / QA16EF1EB0812  
32A: QA16EE1EB0822 / QA16EF1EB0822

### AC Charging Wire Spec.

### Specification

### Equal Standard

16A Wire  
32A Wire

2×2.5mm<sup>2</sup>+1×4.0mm<sup>2</sup>+2×0.75mm<sup>2</sup>  
2×6.0mm<sup>2</sup>+1×10mm<sup>2</sup>+2×0.75mm<sup>2</sup>

CQC 1104 &  
KEMA-KEUR DEKRA K175-2